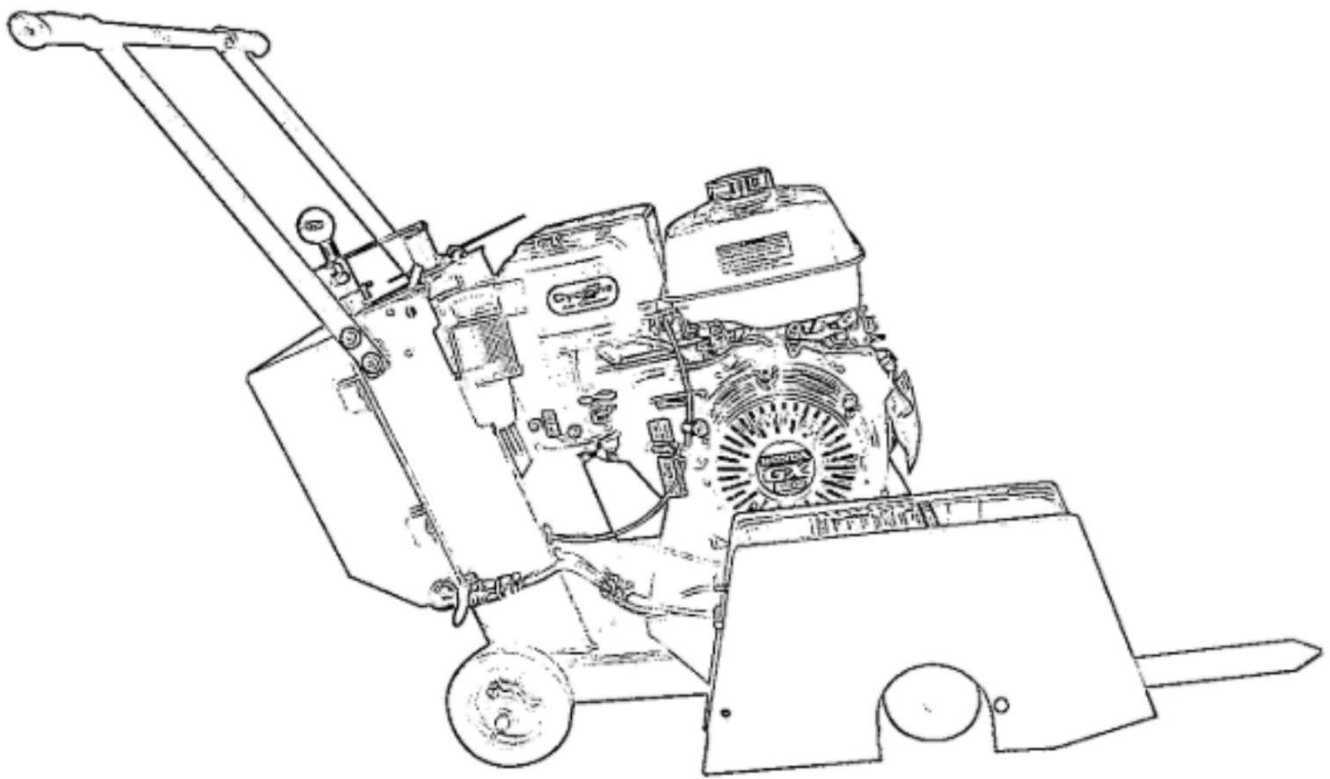
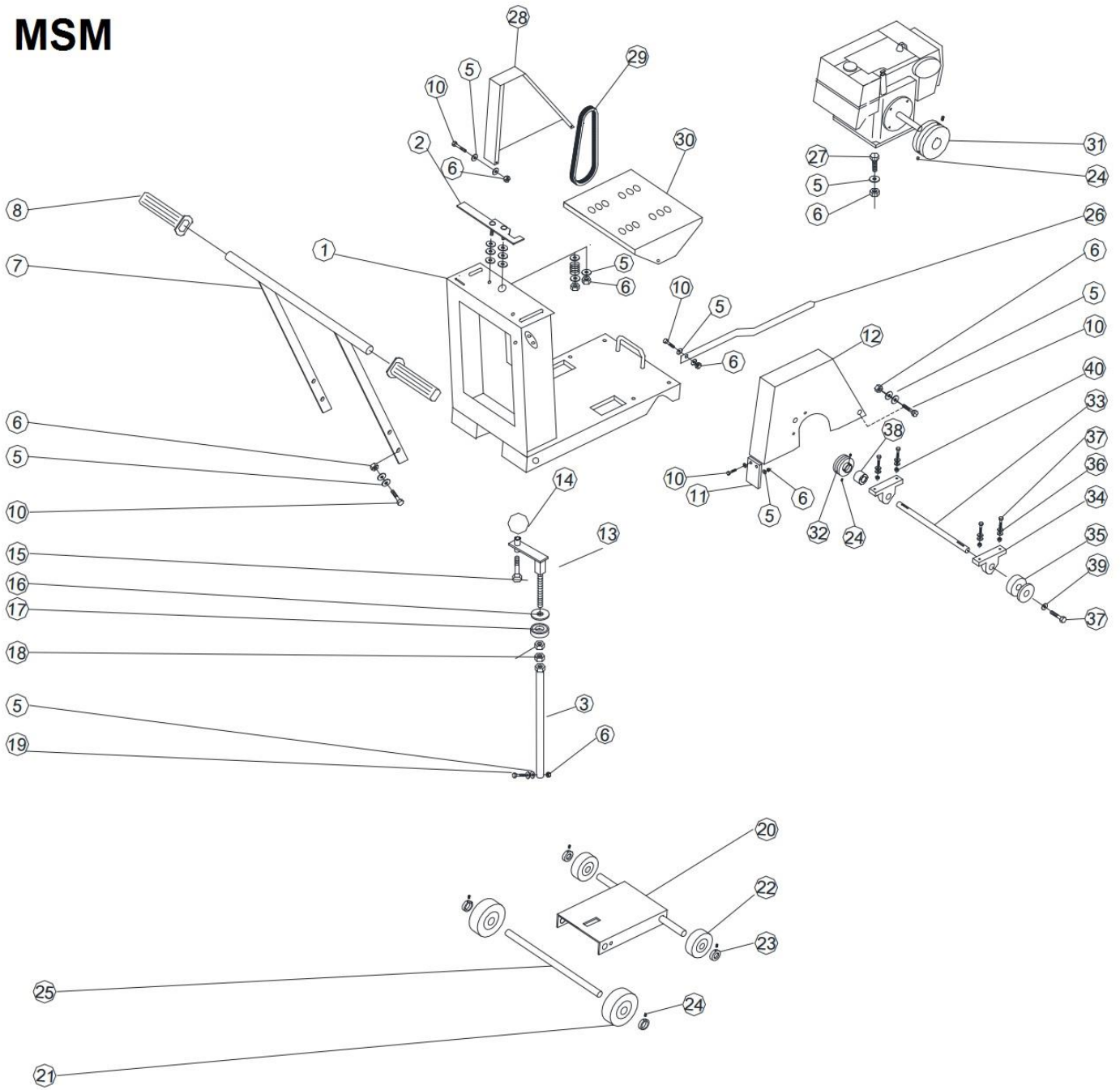


CONCRETE SAW MSM 14" (MILLER MINI)



MSM



ITEM	SKU #	PART #	DESCRIPTION	MSM
1	0406CO01CH	40014-01	MSM FRAME	1
2	0406CO01FR	46036-01	HANDLE BRACKETS	1
3	0406CO02TE	40021-01	MSM DEPTH SCREW DEPTH TUBE - 40021-01	1
4	0406RF01AR	CT0100	MSM THROTTLE CABLE - CT0100	1
5	RNPX038GAL	T112	PLAIN WASHER 3/8" - T112 - C139 - 174986 - 701032	46
6	TCCS038GAL	T114	HEX LOCK NUT 3/8" - 227830 - T114 - C142	18
7	0406CO01MA	46041-01	MSM/MCS1 HANDLE BAR - 46041-01	1

8	0000RF01MA	CG0100	ALL SAWS HANDLE GRIPS - CG0100	2
10	TOCD038114	226220	HEX BOLT HD, 3/8 X 1-1/4 HX GR5 - 226220 - 134990	10
11	0405MI01GD	N/A	MSM/MCS1 BLADE GUARD MUD SPASHER	1
12	0406CO01GD	40009-01	MSM 14" BLADE GUARD - 40009-01	1
13	0406CO01TE	40021-06	MSM RAISE SCREW HANDLE (CRANK) - 40021-06	1
14	MS0400	238202	SAW CRANK BALL KNOB - 238202	1
15	TOCD012212	T104	HEX BOLT HD 1/2" X 2-1/2" - T104 - C146 - 226690	1
16	RNPX034GAL	T108	PLAIN WASHER 3/4" X 1-1/2 - 174996 - T108 - 248277	1
17	0000BAN607	607V	NICE BEARING, 607V	1
18	TCCN034MAQ	46035-18	MSM/MCS1 ACME HEX NUT 3/4" (CRANK) - 46035-18	2
19	TOCD038212	T590	HEX BOLT HD, 3/8" X 2-1/2 - T590 - 226270	1
20	0406CO01RD	40011-02	MSM UNDERCARRIEGE - 40011-02	1
21	0000RD06RD	40015-44	6" X 2" REAR WHEEL MSM/JCS/JCST - 40015-44	2
22	0000RD04RD	40015-33	4" X 2" FRONT WHEEL FOR MSM/MCS/JCS - EEO040 - 40015-33	2
*	ASK FOR #	40015-48	3/4" BEARING REPLACEMENT FOR 4" & 8" WHEELS	2
*	ASK FOR #	40015-50	BEARING REPLACEMENT FOR 6" WHEELS	2
23	0406CR04RD	46037-14	FRONTAL WHEEL BUSHING COLLAR 3/4" - 46037-14	2
24	0406CR05RD	40015-42	REAR WHEEL BUSHING COLLAR 5/8" - 40015-42	2
25	0406CR01RD	40011-12	MSM REAR AXLE - 40011-12	1
26	0406SO01GC	40009-16	MSM CUTTING POINTER GUIDE - 40009-16	1
27	TOCD038200	T145	HEX BOLT HD, GR5 3/8" X 2" - 226250 - T145- C158	4
28	0406CO01GB	40010-01	MSM BELT GUARD - 40010-01	1
29	0000BN3VX315	3VX315	BELT-V 3VX315 MSM SAW	3
30	0406CO01BM	40012-01	MSM ENGINE MOUNTING BASE - 40012-01	1
31	POFG3121003R	N/A	PULLEY 3-1/2 CAL 1 X 3 GROOVES (MSM) (JCS)	1
32	POFG3121143R	N/A	PULLEY 3-1/2 CAL 1-1/4 X 3 GROOVES (MSM) (MCS1)	1
33	0406CR01CO	40013-02	MSM BLADE SHAFT - 40013-02	1
34	00CHPI2114	BE0350	1-1/4" PILLOW BLOCK W/ BEARING - BE0350	2
35	0406CO01CO	40013-03	MSM OUTSIDE BLADE COLLAR (INCLUDES PIN)	1
*	ASK FOR #	46033-07	MSM/MCS1 ALLOY DOWEL PIN FOR COLLAR	1
36	RNPX012GAL	T105	PLAIN WASHER 1/2" - T105 - C172 - 174470	8
37	TOCD012200	N/A	HEX BOLT HD 1/2" X 2" HX GR.5 NC BLK - 226670	1
38	0406CR05CO	N/A	MSM COLLAR SPACER	1
39	RNRX012GAL	T112	SPRING WASHER 1/2" - C145 - 176250 - T568 - T112	1
40	TCCS012GAL	N/A	HEX LOCK NUT 1/2" - T106 - 227854 - C304	4
41	OPFR056056	N/A	SET SCREW, 5/16 X 5/16	8
42	ASK FOR #	40014-03	MSM DASH DECAL - 40014-03	1
43	TOCP036034	N/A	FILLISTER BOLT, 3/16" X 3/4"	2
44	RNPX036GAL	N/A	PLAIN WASHER, 3/16"	2
45	TCCS036GAL	N/A	HEX LOCK NUT, 3/16"	2
46	0405CC01CO	T147	KEY 1/4 - T147 - 0405CC01CO	2
47	0200KI01GA	T195-1	ENGINE N.O KILL SWITCH RED (NO HARNESS) - 816769AS - 112500 - T195-1	1
47	0200KI01GA	T193	ENGINE KILL SWITCH ASSEY RED (WITH HARNESS) 701007 - T193	1
48	0406CO01CO-1	40013-06	MSM/MCS1 INSIDE BLADE COLLAR (HOLE)	1
49	ASK FOR #	40013-09	MSM/MCS1 BLADE WRENCH	1
50	202007M	202007M	ENGINE HONDA 8 HP GX240UT2 WITH CYCLONE FILTER	1
50	202014M	202014M	ENGINE HONDA 13 HP GX390UQAE6 WITH CYCLON FILTER	1
*	TANK MSM	N/A	MSM STEEL WATER TANK ASSEY W/CAP	OPT